

# INFO

8/2017

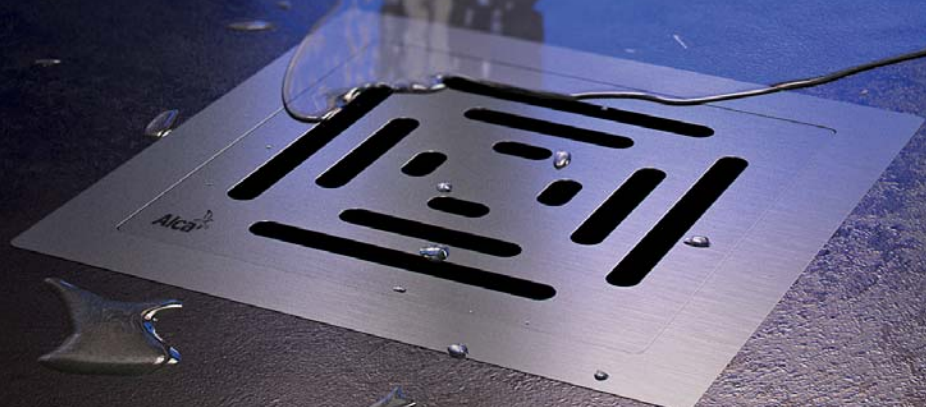
[www.alcaplast.com](http://www.alcaplast.com)

**NEW**

Plastic shower drains with stainless steel edge

Stainless steel floor drains

Drainage corner channels



**CONTENT**

**CZECH LEADER AWARD** ..... 3



**SHOWER DRAINS**

Plastic shower drain **APZ22** with stainless steel edge... 4



**STAINLESS STEEL FLOOR DRAINS**

Floor drains **APV110, APV120, APV130** ..... 6



**SANITARY CERAMICS**

Toilet bowl **RIMFLOW** without flushing rim..... 11



**DRAINAGE CORNER CHANNELS**

Drainage corner channels..... 12

Grids for drainage corner channels ..... 14



**BATH WASTES AND TRAPS**

Innovation of control knobs on the bath wastes and traps ..... 18



## Alcaplast won the Czech Leader Award

Alcaplast became the first Czech Leader of the Prague region on June 7, 2017. In the Czech Leader Award, whose main idea is the support of purely Czech companies with the Czech capital, we have succeeded among 263 other companies.

František Fabičovic, general director of the company, has received the award together with his wife Radka Prokopová, and commented the success: "We greatly appreciate the the first place from the jury because the results have been evaluated according to various financial indicators. The victory is the fulfillment of our long-standing hard work."

This was the first year of Czech Leader Award. Out of 1350 nominees from all the regions in the Czech Republic has been selected 14 finalists, whose representatives learned the results at Microsoft's headquarters in Prague.



**NEW**

4

# Plastic shower drain APZ22 with stainless steel edge

## Economical option for a perfect look!

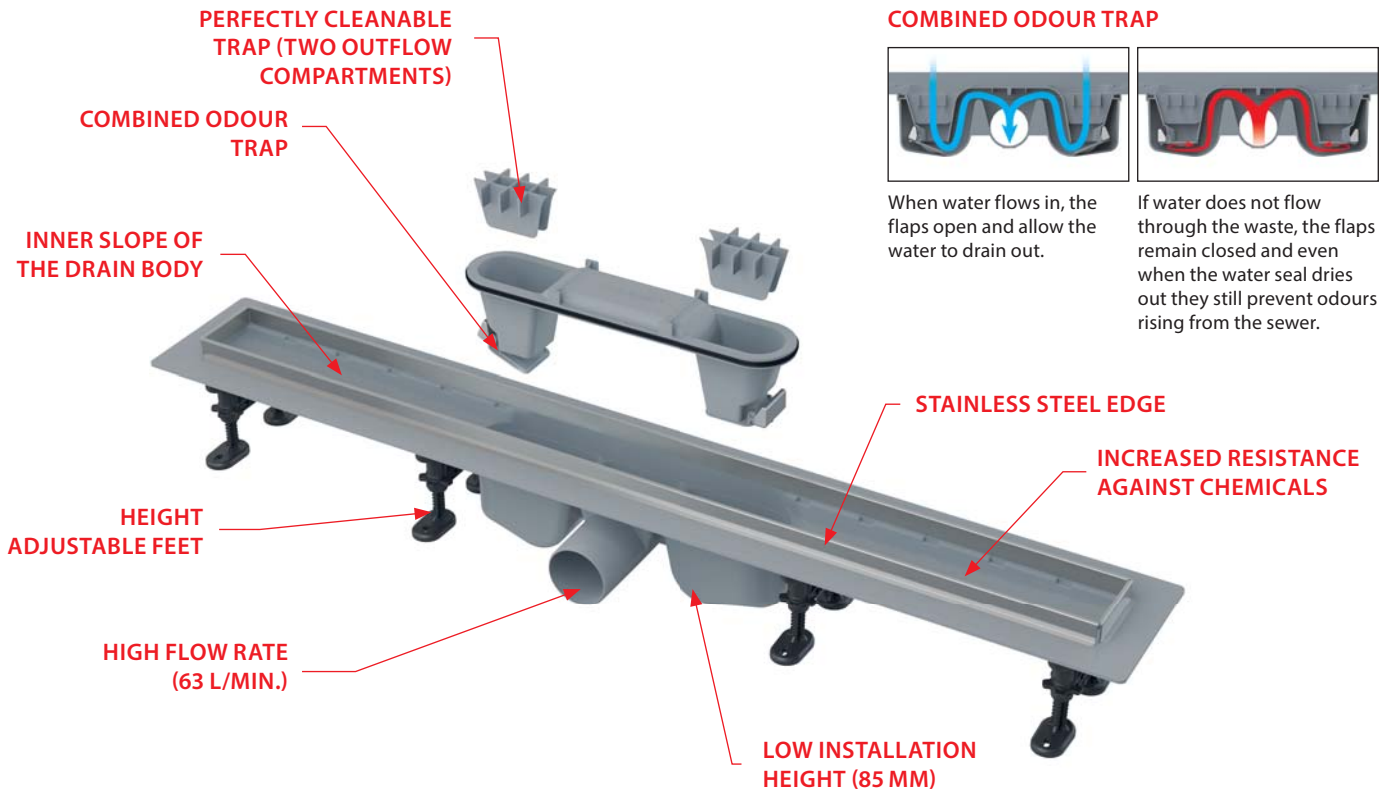
The plastic shower drains are newly available with stainless steel edge.

The appearance of the stainless steel grid is not spoiled by a plastic edge of the shower drain thus you can easily get a perfect look at an affordable price.

Plastic shower drain APZ22 is based on a standard shower drain APZ12. It has a building height 85 mm.

They are made of highly durable plastic that resists frost and chemistry and is completely cleanable up to the waste pipe. Perfectly ensure the drainage of showers at the floor level. Double compartment trap ensures the flow rate of 63 l/min. This is a guarantee that your bathroom will not be flooding even if you have installed the large format shower head with high water inlet. Adjustable plastic anchoring legs allow the fast and convenient installation, including precise plain setting.

The grid is not included in the packaging. We offer perforated grids, full grids or grids for embedding tiles or water-resistant wood.



### COMBINED ODOUR TRAP



When water flows in, the flaps open and allow the water to drain out.

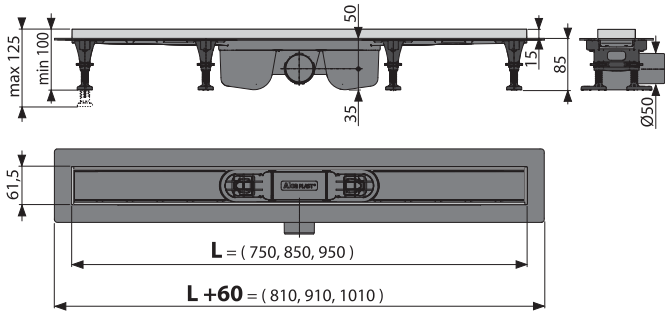
If water does not flow through the waste, the flaps remain closed and even when the water seal dries out they still prevent odours rising from the sewer.

**NEW**

5

## APZ22 Optimal

Shower drain with a stainless steel edge for perforated grids or tile embedding



Quantity (packing) APZ22-850	12 pcs
Dimensions (piece)	920x125x150 mm
Weight (piece)	1.5606 kg
EAN	8595580554637

from  
1.9.2017

### Grids for linear shower drains APZ22 Optimal

**LINE** Stainless steel-polished / Stainless steel-matt



**DREAM** Stainless steel-polished / Stainless steel-matt



**PURE** Stainless steel-polished / Stainless steel-matt



**BUBLE** Stainless steel-polished / Stainless steel-matt



**CUBE** Stainless steel-polished / Stainless steel-matt



**HOPE** Stainless steel-polished / Stainless steel-matt



**TILE** Grid for embedding tiles



**SOLID** Stainless steel-matt



**NEW**

6

## Stainless stainless floor drains

Stainless steel floor drains are designed and developed to meet the high demands on the final design of the bathroom. Rigorous technology used for its manufacturing allows the use of visible parts from a single piece of solid stainless steel with no extra breaches, welds and other distractions.

The floor drain makes a compact unit suitable for all types of modern bathrooms. With stainless steel floor drain you are getting absolutely clean design piece of a highly functional technical element of the bathroom.

### Grids not only for tile embedding

You can choose from three types of the grids for the floor drains and simply influence their final appearance. The most interesting option is to use the grid for embedding tiles and leave the floor drain to naturally harmonize with the bathroom floor.

The second type is a full grid made of one solid piece of steel, which in conjunction with the drain's body, has a very compact look.

The third option is a perforated stainless steel grid, which thanks to the precise water jet cutting perfectly fits into the body of the floor drain.

### Three height variants of traps

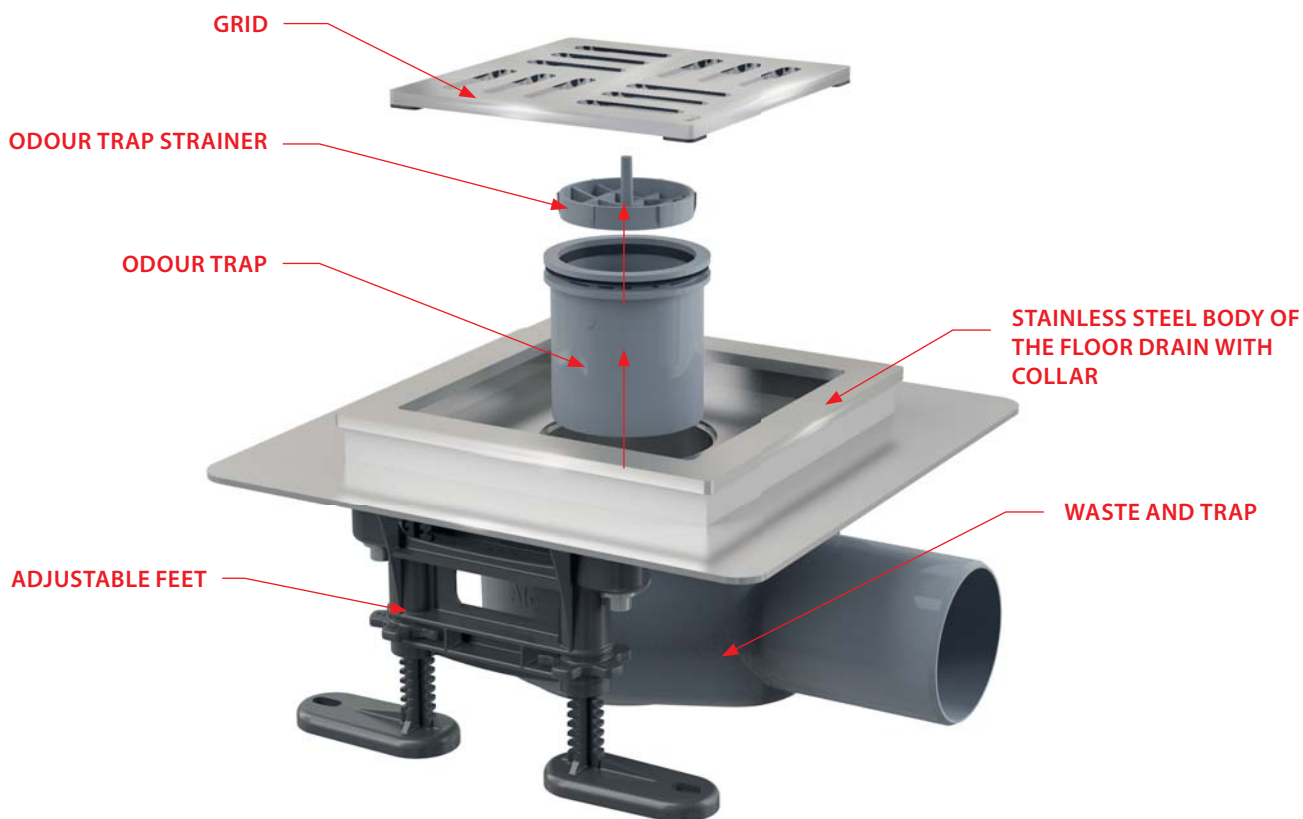
Three types of traps that can be used with those new floor drains guarantee perfect construction variability. The lowest trap with a height of 55 mm allows you to use it in areas with a minimum floor height while maintaining appropriate water flow rate. All three types of traps are designed to be easily cleansed without chemicals and do not require complicated installation and maintenance.



**25**  
YEAR WARRANTY

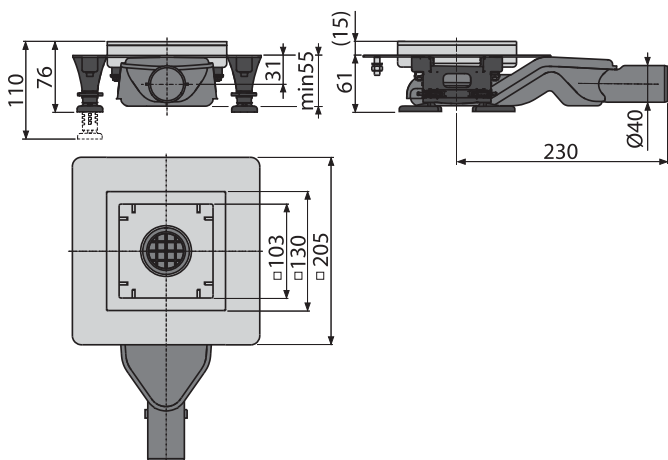
**NEW**

7



**APV110**

Floor drain stainless steel extra-low 130×130 mm side outlet, without grid, wet odour trap



Quantity (packing) APV110	1 pc
Dimensions (piece)	335×207×73 mm
Weight (piece)	1.6513 kg
EAN	8595580555160

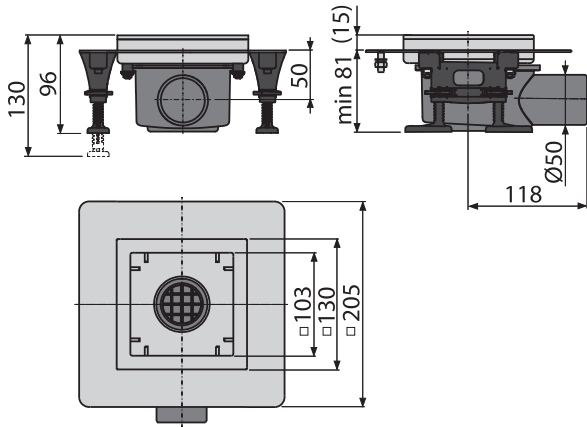
**from**  
**1. 9. 2017**

**NEW**

8

**APV120**

Floor drain stainless steel low 130×130 mm side outlet, without grid, wet odour trap

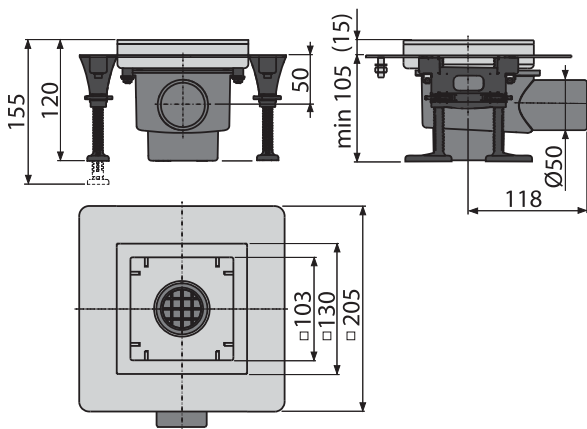


Quantity (packing) APV120	1 pc
Dimensions (piece)	223×207×123 mm
Weight (piece)	1.6273 kg
EAN	8595580555146

from  
1. 9. 2017

**APV130**

Floor drain stainless steel 130×130 mm side outlet, without grid, wet odour trap



Quantity (packing) APV130	1 pc
Dimensions (piece)	223×207×123 mm
Weight (piece)	1.6623 kg
EAN	8595580555177

from  
1. 9. 2017

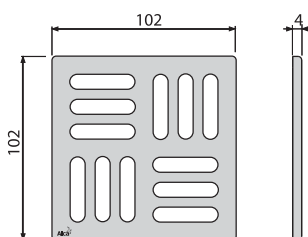


**NEW**

9

**MPV011**

Grid for stainless steel floor drains 102×102 mm stainless steel

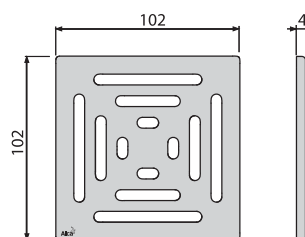
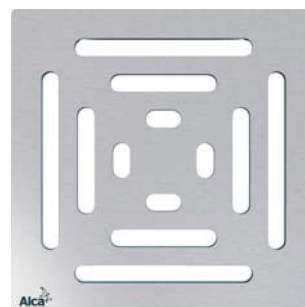


**from  
1. 9. 2017**

Quantity (packing) <b>MPV011</b>	1 pc
Dimensions (piece)	106×106×7 mm
Weight (piece)	0.2540 kg
EAN	8595580555481

**MPV012**

Grid for stainless steel floor drains 102×102 mm stainless steel

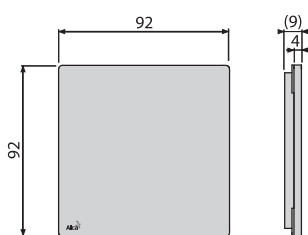


**from  
1. 9. 2017**

Quantity (packing) <b>MPV012</b>	1 pc
Dimensions (piece)	mm
Weight (piece)	0.2540 kg
EAN	8595580555498

**MPV013**

Grid for stainless steel floor drains 92×92 mm stainless steel

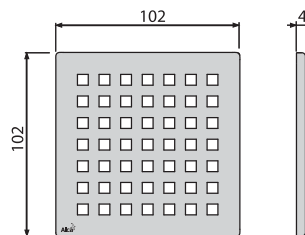
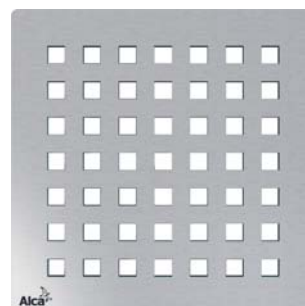


**from  
1. 9. 2017**

Quantity (packing) <b>MPV013</b>	1 pc
Dimensions (piece)	106×106×7 mm
Weight (piece)	0.2540 kg
EAN	8595580555528

**MPV014**

Grid for stainless steel floor drains 102×102 mm stainless steel



**from  
1. 9. 2017**

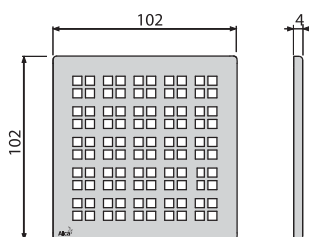
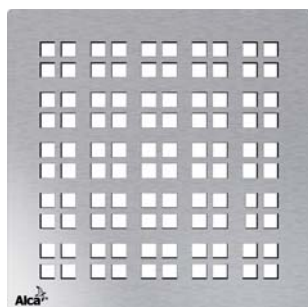
Quantity (packing) <b>MPV014</b>	1 pc
Dimensions (piece)	106×106×7 mm
Weight (piece)	0.2540 kg
EAN	8595580555504

**NEW**

10

**MPV015**

Grid for stainless steel floor drains 102×102 mm stainless steel

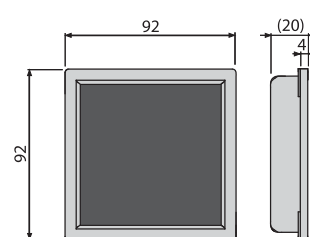


**from  
1. 9. 2017**

Quantity (packing) <b>MPV015</b>	1 pc
Dimensions (piece)	106×106×7 mm
Weight (piece)	0.2540 kg
EAN	859558055511

**MPV016**

Grid for stainless steel floor drains 92×92 mm for embedding tiles



**from  
1. 9. 2017**

Quantity (packing) <b>MPV016</b>	1 pc
Dimensions (piece)	106×106×7 mm
Weight (piece)	0.2540 kg
EAN	859558055535

**NEW**

11

## Toilet bowl RIMFLOW without flushing rim

We introduce the toilet bowl RIMFLOW without flushing rim as a design innovation for your bathroom.

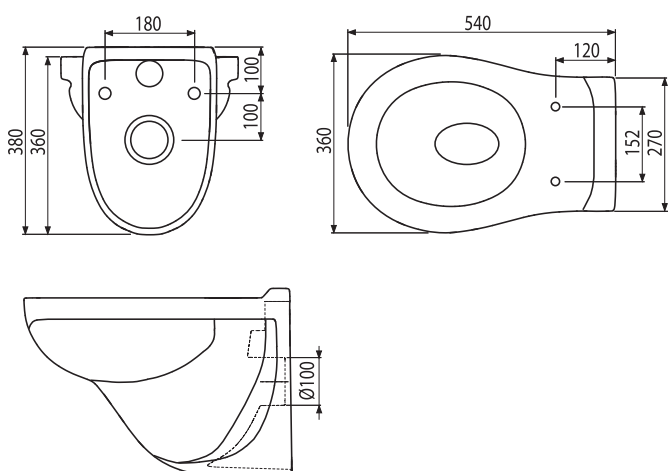
Elegant flushing around the smooth circuit of the bowl without any folds, under which is usually settled dirt, offers the new design toilet bowl RIMFLOW without flushing rim.

To achieve economical and efficient flushing of the toilet, it is essential to choose the right type of pre-wall installation system. For more information, see INFO 10/2016, p. 19. By inserting and setting the regulator you can control and tune the water flow. The regulator is also compatible with all types of flush valves and cisterns Alca. With one exception which is Slim type.



## WC RIMFLOW

Wall-hung WC RIMFLOW



Quantity (packing) <b>WC RIMFLOW</b>	1 pc
Dimensions (piece)	540x380x360 mm
Weight (piece)	16.3500 kg
EAN	8698208271364

**NEW**

12

## Drainage corner channels

Drainage corner channels complete the product line of the drainage channels.

For each type of the drainage channel and grid is now available the corner piece that helps you to achieve a harmonious look with minimal effort.

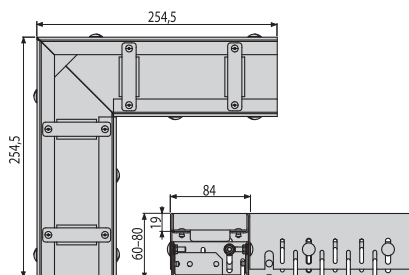


**NEW**

13

**ADZ101VR**

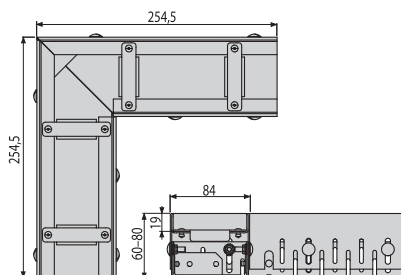
Drainage corner channel 75 mm adjustable, galvanized steel



Quantity (packing) <b>ADZ101VR</b>	1 pc
Dimensions (piece)	254,5x254,5x60 mm
Weight (piece)	1.8086 kg
EAN	8595580554941

**ADZ301VR**

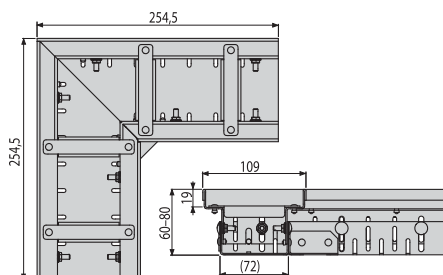
Drainage corner channel 75 mm adjustable, stainless steel



Quantity (packing) <b>ADZ301VR</b>	1 pc
Dimensions (piece)	254,5x254,5x60 mm
Weight (piece)	1.8116 kg
EAN	8595580554958

**ADZ102VR**

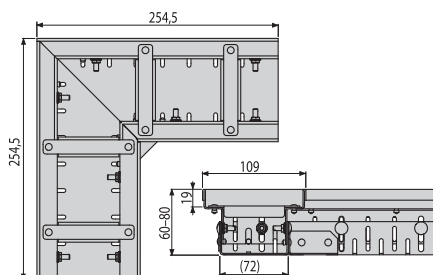
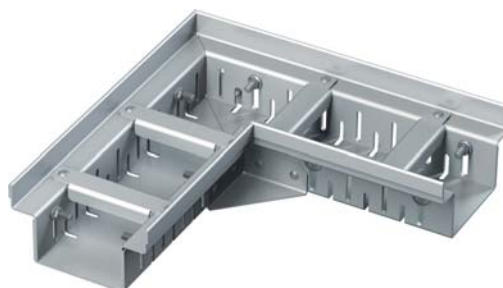
Drainage corner channel 100 mm adjustable, galvanized steel



Quantity (packing) <b>ADZ102VR</b>	1 pc
Dimensions (piece)	254,5x254,5x60 mm
Weight (piece)	1.5916 kg
EAN	8595580554804

**ADZ302VR**

Drainage corner channel 100 mm adjustable, stainless steel



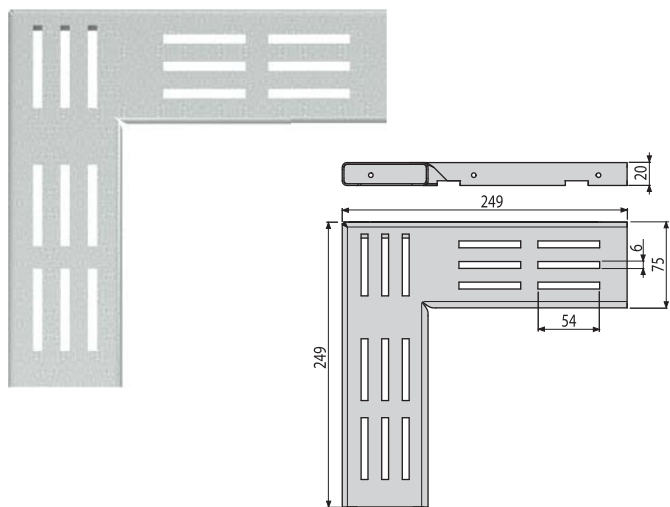
Quantity (packing) <b>ADZ302VR</b>	1 pc
Dimensions (piece)	254,5x254,5x60 mm
Weight (piece)	1.5916 kg
EAN	8595580554811

**NEW**

14

**ADZ-R101R**

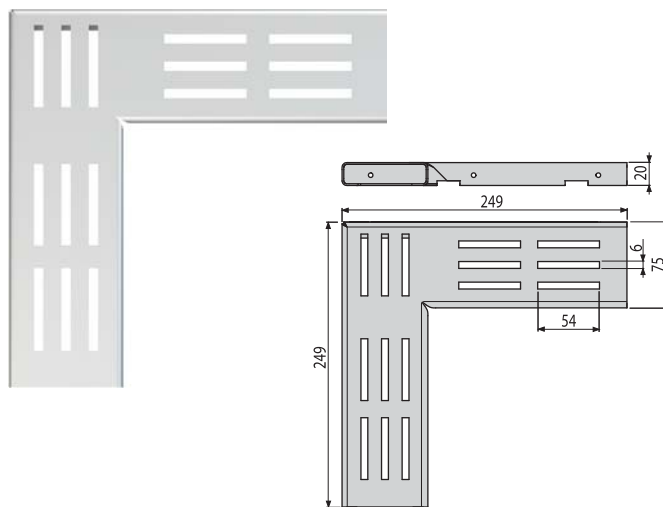
Grid for drainage corner channel 75 mm, galvanized steel



Quantity (packing) <b>ADZ-R101R</b>	1 pc
Dimensions (piece)	249×249×20 mm
Weight (piece)	0.5618 kg
EAN	8595580555023

**ADZ-R301R**

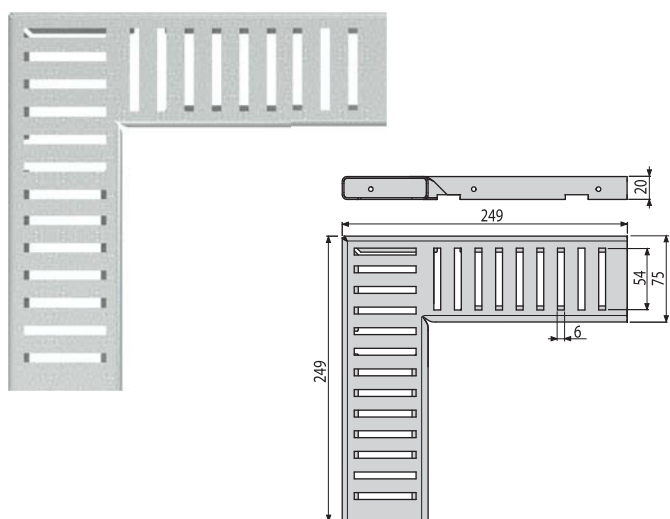
Grid for drainage corner channel 75 mm, stainless steel



Quantity (packing) <b>ADZ-R301R</b>	1 pc
Dimensions (piece)	249×249×20 mm
Weight (piece)	0.5618 kg
EAN	8595580555054

**ADZ-R102R**

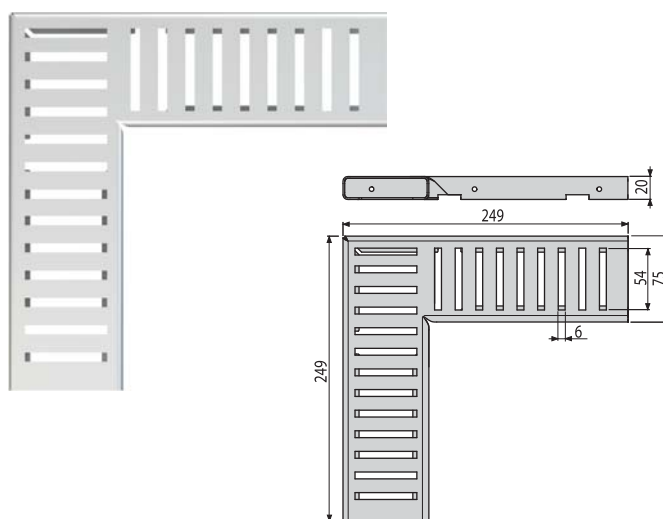
Grid for drainage corner channel 75 mm, galvanized steel



Quantity (packing) <b>ADZ-R102R</b>	1 pc
Dimensions (piece)	249×249×20 mm
Weight (piece)	0.5348 kg
EAN	8595580555030

**ADZ-R302R**

Grid for drainage corner channel 75 mm, stainless steel



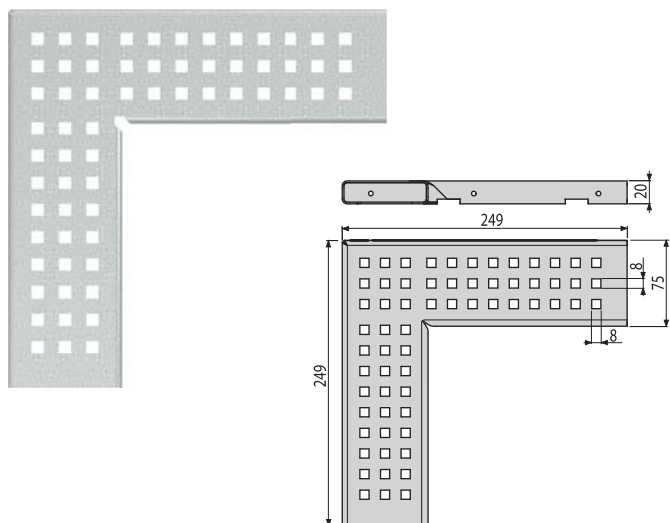
Quantity (packing) <b>ADZ-R302R</b>	1 pc
Dimensions (piece)	249×249×20 mm
Weight (piece)	0.5348 kg
EAN	8595580555061

**NEW**

15

**ADZ-R103R**

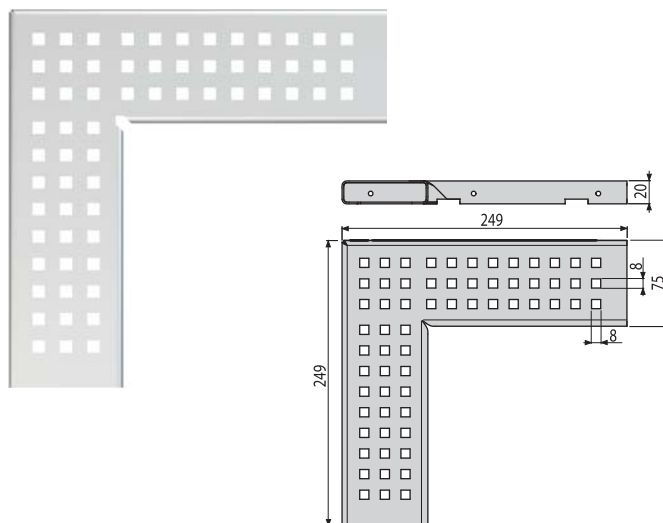
Grid for drainage corner channel 75 mm, galvanized steel



Quantity (packing) <b>ADZ-R103R</b>	1 pc
Dimensions (piece)	249x249x20 mm
Weight (piece)	0.5708 kg
EAN	8595580555047

**ADZ-R303R**

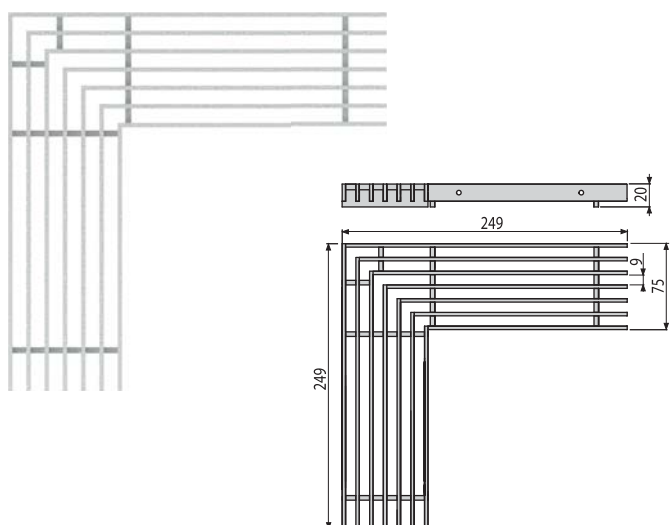
Grid for drainage corner channel 75 mm, stainless steel



Quantity (packing) <b>ADZ-R303R</b>	1 pc
Dimensions (piece)	249x249x20 mm
Weight (piece)	0.5708 kg
EAN	8595580555078

**ADZ-R104R**

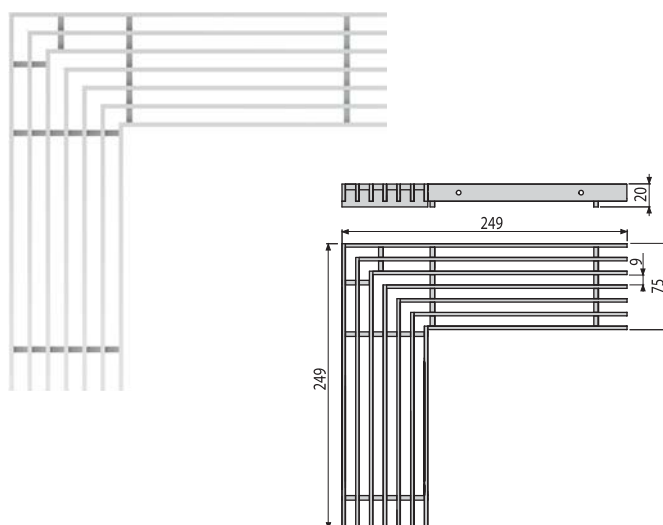
Grid for drainage corner channel 75 mm, galvanized steel



Quantity (packing) <b>ADZ-R104R</b>	1 pc
Dimensions (piece)	249x249x20 mm
Weight (piece)	1.1748 kg
EAN	8595580555443

**ADZ-R304R**

Grid for drainage corner channel 75 mm, stainless steel



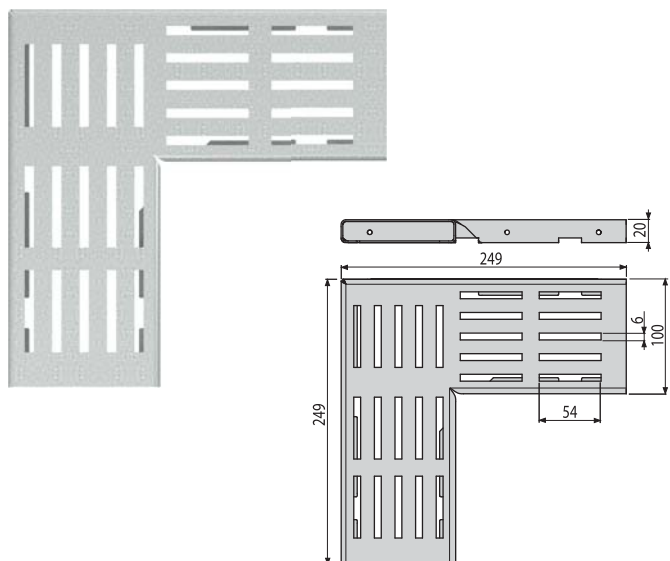
Quantity (packing) <b>ADZ-R304R</b>	1 pc
Dimensions (piece)	249x249x20 mm
Weight (piece)	1.1748 kg
EAN	8595580555450

**NEW**

16

**ADZ-R121R**

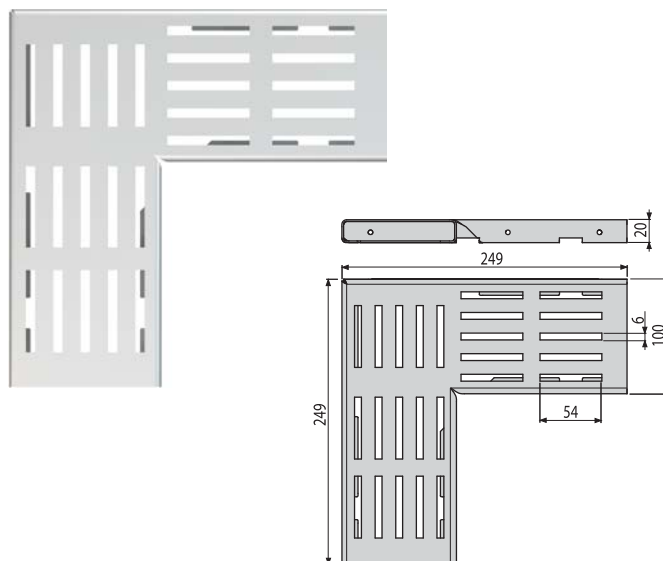
Grid for drainage corner channel 100 mm, galvanized steel



Quantity (packing) ADZ-R121R	1 pc
Dimensions (piece)	249x249x20 mm
Weight (piece)	0.6028 kg
EAN	8595580554965

**ADZ-R321R**

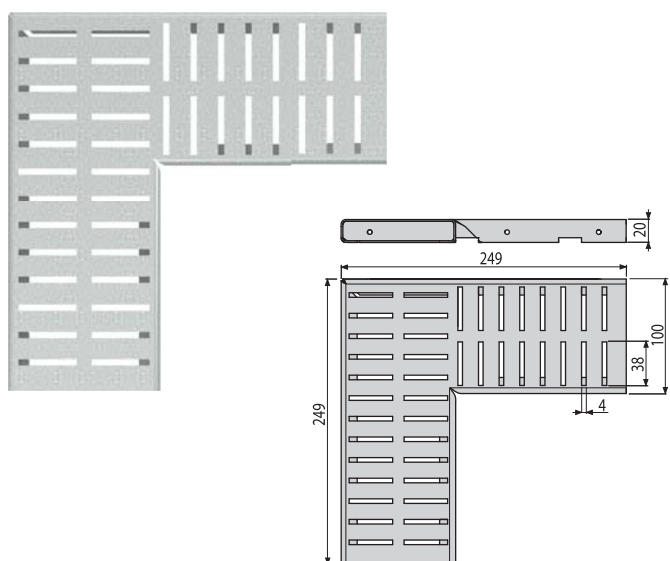
Grid for drainage corner channel 100 mm, stainless steel



Quantity (packing) ADZ-R321R	1 pc
Dimensions (piece)	249x249x20 mm
Weight (piece)	0.6028 kg
EAN	8595580554996

**ADZ-R122R**

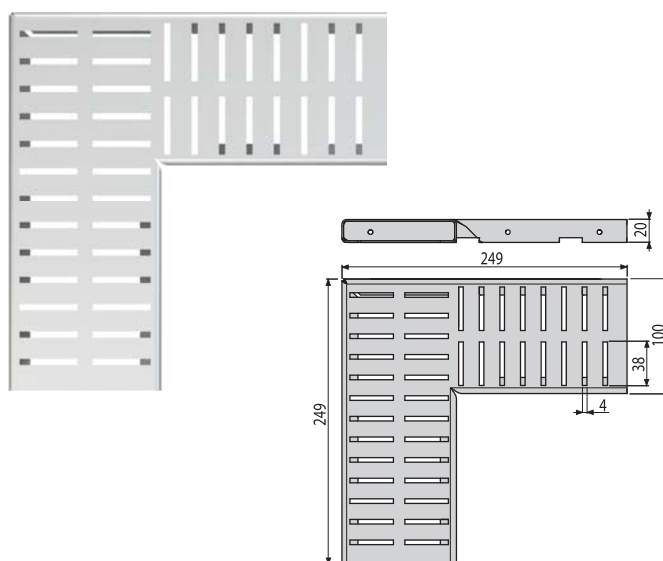
Grid for drainage corner channel 100 mm, galvanized steel



Quantity (packing) ADZ-R122R	1 pc
Dimensions (piece)	249x249x20 mm
Weight (piece)	0.6228 kg
EAN	8595580554972

**ADZ-R322R**

Grid for drainage corner channel 100 mm, stainless steel



Quantity (packing) ADZ-R322R	1 pc
Dimensions (piece)	249x249x20 mm
Weight (piece)	0.6228 kg
EAN	8595580555009

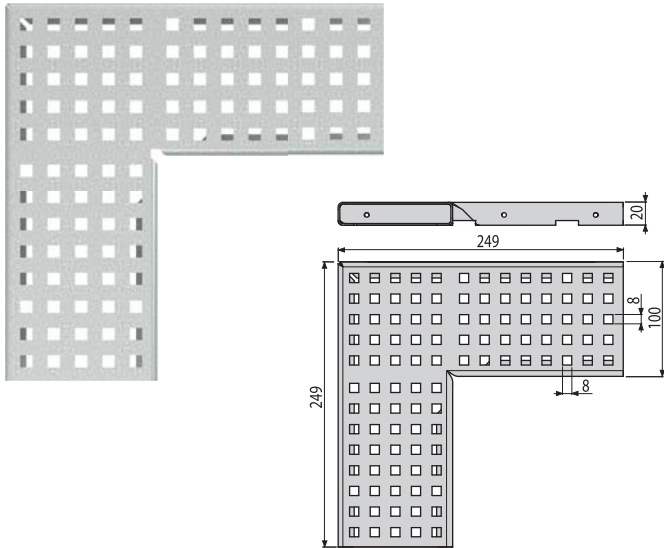


**NEW**

17

**ADZ-R123R**

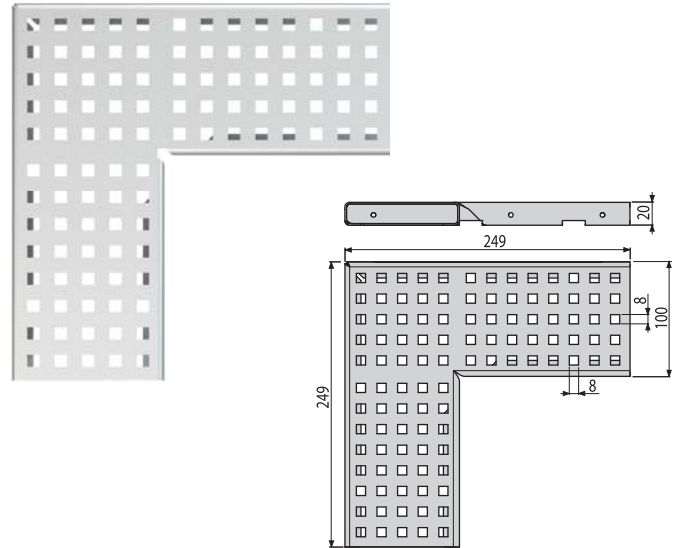
Grid for drainage corner channel 100 mm, galvanized steel



Quantity (packing) <b>ADZ-R123R</b>	1 pc
Dimensions (piece)	249×249×20 mm
Weight (piece)	0.6188 kg
EAN	8595580554989

**ADZ-R323R**

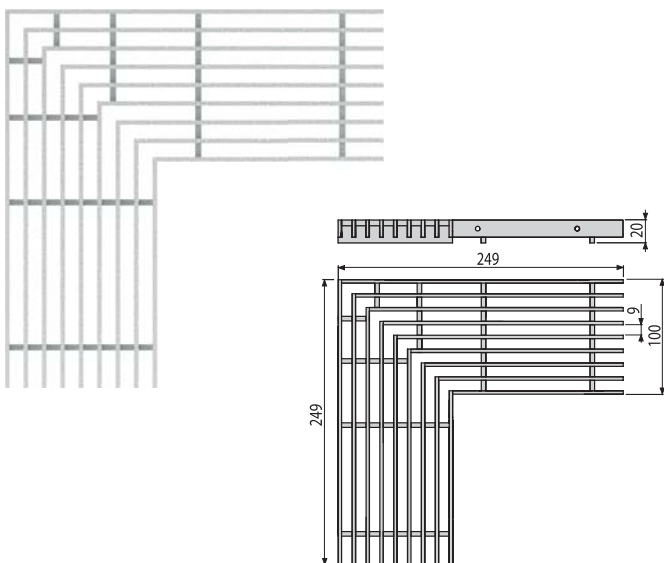
Grid for drainage corner channel 100 mm, stainless steel



Quantity (packing) <b>ADZ-R323R</b>	1 pc
Dimensions (piece)	249×249×20 mm
Weight (piece)	0.6188 kg
EAN	8595580555016

**ADZ-R124R**

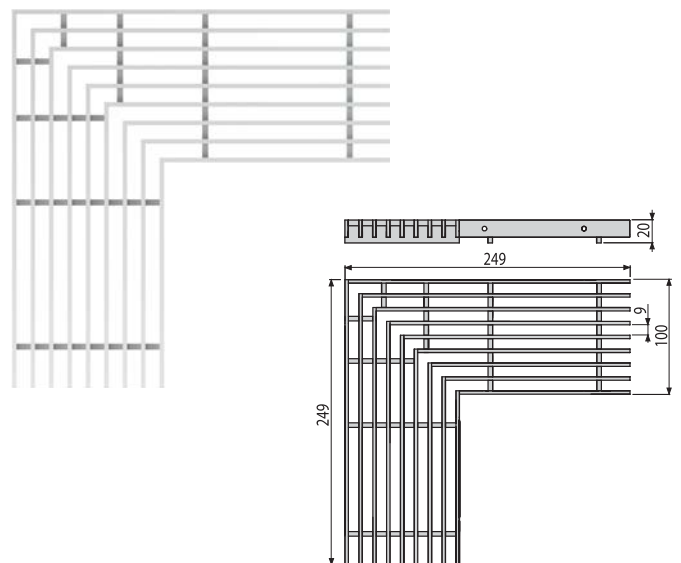
Grid for drainage corner channel 100 mm, galvanized steel



Quantity (packing) <b>ADZ-R124R</b>	1 pc
Dimensions (piece)	249×249×20 mm
Weight (piece)	1.4808 kg
EAN	8595580555467

**ADZ-R324R**

Grid for drainage corner channel 100 mm, stainless steel

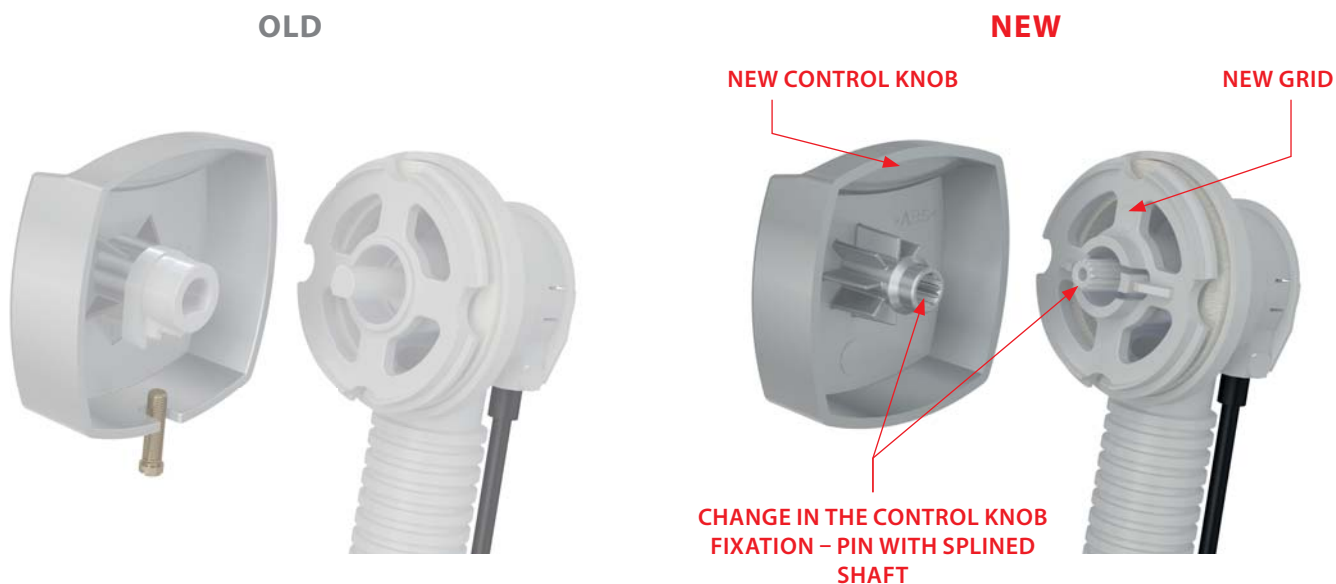


Quantity (packing) <b>ADZ-R324R</b>	1 pc
Dimensions (piece)	249×249×20 mm
Weight (piece)	1.4808 kg
EAN	8595580555474

**INNOVATION**

## Innovation of bath wastes and traps

Innovated design of the control knob for bath wastes and traps ensure even smoother running of the mechanism. Opening and closing the bathtub plug will be more comfortable and accurate.



**Plastic control knobs**



**Bath waste and trap**

**A51B  
A51BM**

**A51CR  
A51CRM  
A566-122133-57**

**A51CR  
A51CRM  
A54CR  
A566-112122-\_  
A566-112123-\_  
A566-113133-\_  
A566-114233-\_**

FROM  
8/2017

**Metal control knobs**



**Bath waste and trap**

**A55K  
A55KM**

**A55K  
A55KM**

The ALCAPLAST team of specialists is always on hand to help with design, installation and quote project prices!

Czech product  
ISO 9001:2015



# Alca PLAST<sup>®</sup>

CZECH REPUBLIC

---

Alca plast, s. r. o.  
Bratislavská 2846, 690 02 Breclav  
tel.: +420 519 821 117 – Sales Dept. CZ  
tel.: +420 519 821 041 – Export Dept.  
fax: +420 519 821 083  
alcaplast@alcaplast.com  
**www.alcaplast.com**