

alcadrain

2-2023

Info

new

AM120/1120
WC system
for your toilet bowl
with bidet function

25
anniversary

Alca is
celebrating!



www.alcadrain.com

Flush plates THIN in metallic matt colours	3
<hr/>	
Innovation of WC systems – preparation for ventilation as a standard	5
<hr/>	
AM120/1120 – WC system for your toilet bowl with bidet function	6
<hr/>	
WC system with integrated hygienic pipe flushing function	8
<hr/>	
Mounting frame for urinal with hidden water connection	10
<hr/>	
The new WC Solid ceramic bowl	12
<hr/>	
Outdoor drain channel with a new plastic grid	14
<hr/>	
Stainless steel strip for a sloped floor in a new length of 1600 mm	16
<hr/>	
Remote flushing	18
<hr/>	
Alca celebrates 25th anniversary	19
<hr/>	
Index	20
<hr/>	



Flush plates THIN in metallic matt colours

The metallic shades of the THIN flush plates match the Program Individual. Whether you choose an elegant red gold finish, dazzling gold color, subtle nickel or modern gun metal, all colors will complement your interior and highlight its unique style. Thanks to its flat profile stand out only five millimeters above the tiles.



M57-G-M



M57-RG-M



M57-N-M



M57-GM-M



M57-G-M

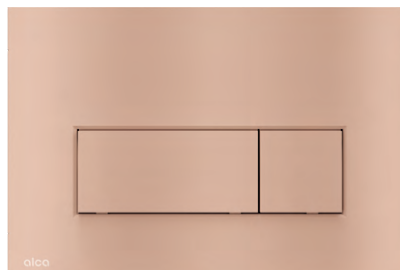
Flush plate for pre-wall installation system,
GOLD-matt



Quantity (packing)	25 pcs
Dimensions (piece)	250×170×36 mm
EAN	8595580580940

M57-RG-M

Flush plate for pre-wall installation systems,
RED GOLD-matt



Quantity (packing)	25 pcs
Dimensions (piece)	250×170×36 mm
EAN	8595580580957

M57-N-M

Flush plate for pre-wall installation systems,
NICKEL-matt



Quantity (packing)	25 pcs
Dimensions (piece)	250×170×36 mm
EAN	8595580580964

M57-GM-M

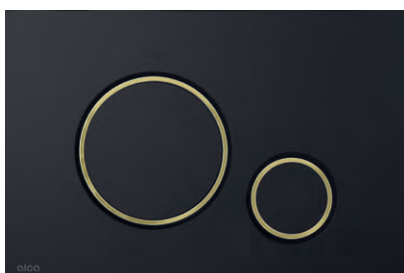
Flush plate for pre-wall installation systems,
GUN METAL-matt



Quantity (packing)	25 pcs
Dimensions (piece)	250×170×36 mm
EAN	8595580580971

M778-5

Flush plate for pre-wall installation systems,
black-matt/gold-polished

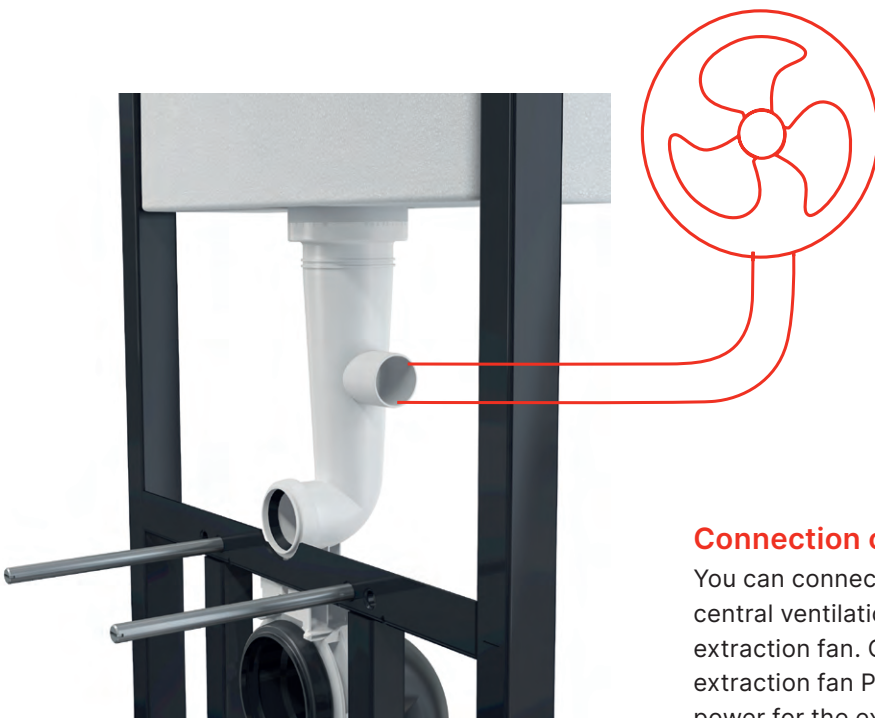


Quantity (packing)	25 pcs
Dimensions (piece)	250×170×36 mm
EAN	8595580578220

Innovation of WC systems 2023 – preparation for ventilation as a standard



Preparation for effective and quiet ventilation with immediate elimination of unwanted odors will be now on standard products. You will then have the opportunity to decide during installation whether you will use this useful feature or not. You just drill a blind branch in the supply elbow, connect the extraction fan and suck the air out of the room.



P128

Extraction fan for pre-wall installation systems with ventilation

Connection options

You can connect the WC system either to the central ventilation system or use any in-line extraction fan. Our product offer includes an extraction fan P128, which provides sufficient power for the extraction of odours.

No additional costs

The extraction fan, which is connected to WC systems with ventilation, is a one-time expense. When choosing this method of extraction the customer does not have to think about any other expenses, such as charcoal filters.

Selected WC systems with preparation for extraction fan connection:

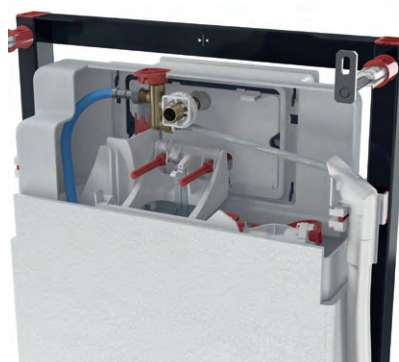
AM101/1120, AM101/1300H, AM101/1500L, AM102/1120, AM102/1120E, AM116/1120, AM116/1300H, AS101, AM120/1120, AM121/1120, AM115/1000V



AM120/1120 – WC system for your bidet toilet bowl



This system is ready for the connection of a bidet bowl. Whether you are already counting on it in the project, or are planning to purchase it in the future, our AM120 WC system is perfectly prepared for it.



- **Concealed water and electricity supply to the toilet bowl**
- **Universal compatibility with different types of bidet toilet bowls**
- **WC tablets dispenser**
- **Quick and quiet water filling**

ACCESSORIES



◀ The connection kit serves to connect the water and is only installed when the bowl itself is assembled. The toilet system can be used without it for a regular toilet bowl.

P192

Connection set for toilet or seat with bidet function



P193

Connection board for toilet or seat with bidet function

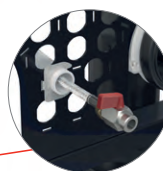
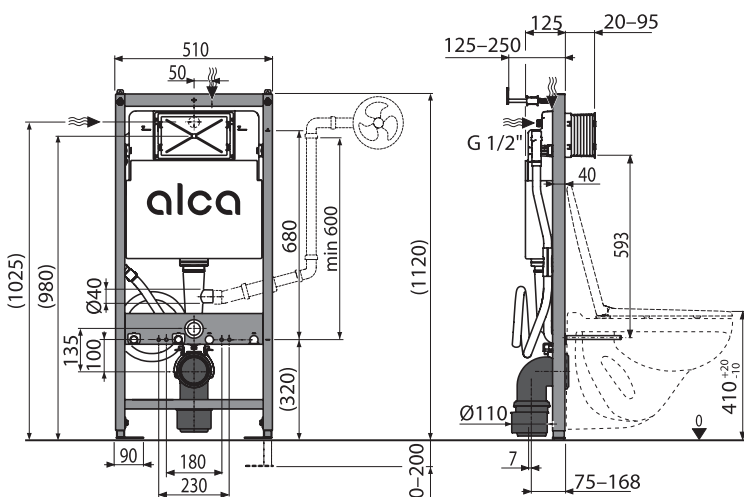


◀ The connection board can be used in case that the selected bidet bowl does not have a standard water and electricity connection position. It contains additional 13 positions where these connections can be placed, making the AM120 a universal module for most bowl models on the market.



AM120/1120

Pre-wall installation system for toilets with bidet function



for electricity and water connection

Quantity (packing)	1 pc
Dimensions (piece)	1130×520×145 mm
EAN	8595580559007

P192

Connection set for toilet or seat with bidet function



Quantity (packing)	1 pc
Dimensions (piece)	220×360×3 mm
EAN	8595580580377

P193

Connection board for toilet or seat with bidet function

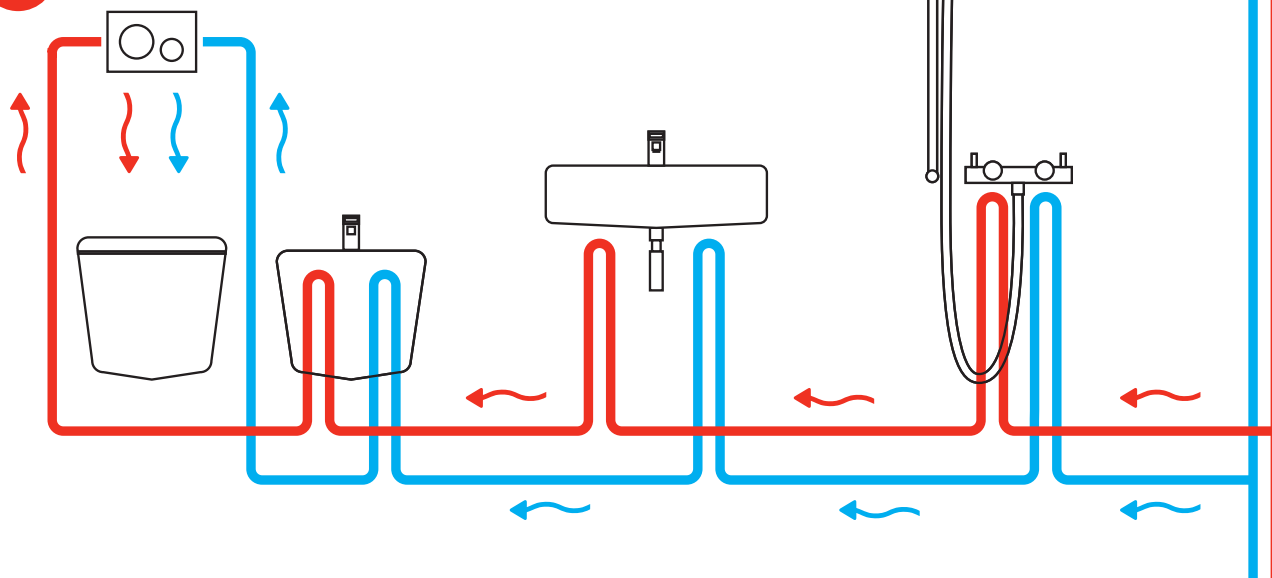


Quantity (packing)	1 pc
Dimensions (piece)	195×180×25 mm
EAN	8595580580384

new

alca drain

WC system with integrated hygienic pipe flushing function



Water is a living organism

Some sanitary rooms, whether in a large apartment complex, a hospital or a family home, may not be used for a long time. Long-term stagnant water in the water system can then create an environment that is suitable for the multiplication of various organisms, such as legionella, which can cause serious health problems.

The pre-wall installation system AM121 is designed to be able to flush water pipes on a regular basis and thus minimize the risk of spreading these pathogens.

Flush setting

The hot and cold water flush timer is factory set.

If the settings do not suit you, you can purchase the P195 controller and set the flushing according to your requirements.

72 HOURS WC WITHOUT FLUSHING



WARM WATER RINSE
60 seconds → 6.8 l of warm water



COLD WATER RINSE
60 seconds → 6.8 l of cold water



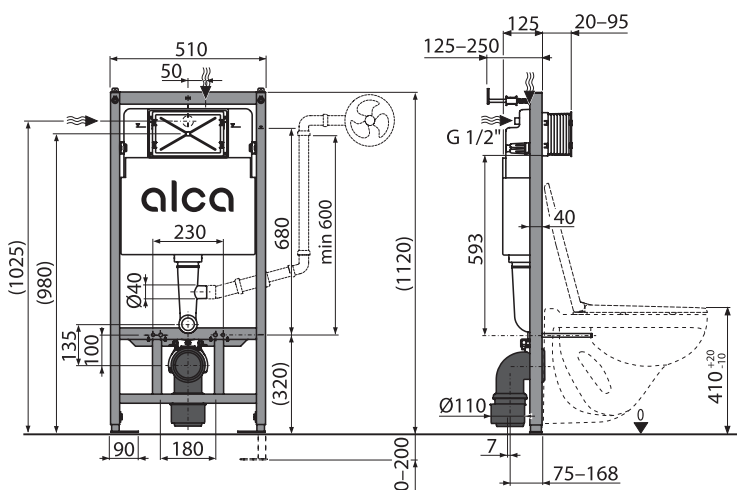
Simple control

The system can be set either with a remote control or by connecting to the building control system.



AM121/1120

Pre-wall installation system with integrated hygienic pipe flushing function

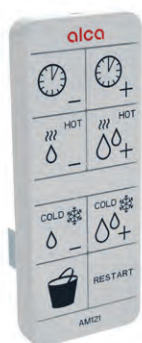


cold and warm water rinse

Quantity (packing)	1 pc
Dimensions (piece)	1130×145×520 mm
EAN	8595580579197

P195

Remote control for AM121



Quantity (packing)	1 pc
Dimensions (piece)	- mm
EAN	8595580580551

new

alca drain

Mounting frame for urinal with hidden connection



NEW HEIGHT
1120 mm



UNIFIED WIDTH
510 mm



ASSEMBLY OF PARTITIONS **FROM THE BACK SIDE**

Faster installation thanks to adjustable partitions



PARTITION POSITION LOCKING

Fixing the position with a lock

ANCHOR FEET BRAKE

The feet lock system allows setting the necessary building height of the frame profile and then ensure its final position by tightening.



FIXATION SET EASY LOCK **FOR MOUNTING TO THE** **WALL**

EVEN FASTER AND EASIER **INSTALLATION**

The new design allows a simple mounting to the wall in half of the time.

Exact setting

Optional additional adjustment to an optimal position using an allen key accessed via the front of the frame.



new

ASSEMBLY OF URINALS WITH **HIDDEN CONNECTION**

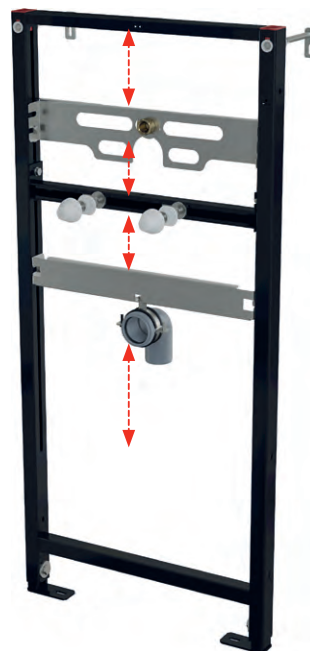
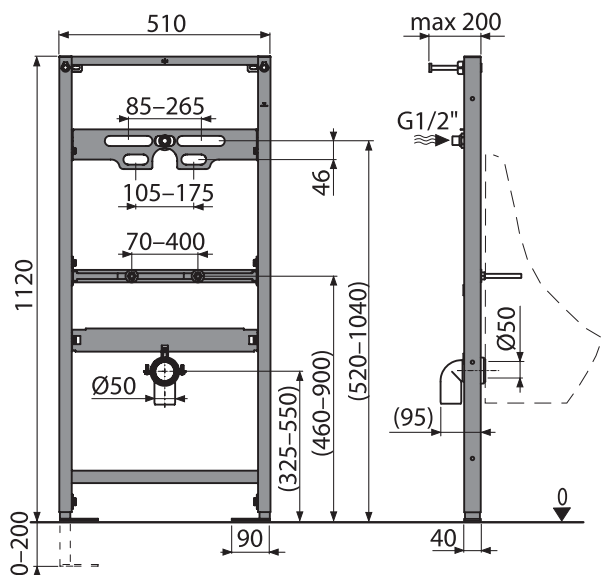
Just turn the larger galvanized bracket 180° and fasten it first in the order from the top.

The procedure is shown in detail in the installation manual.



A107/1120

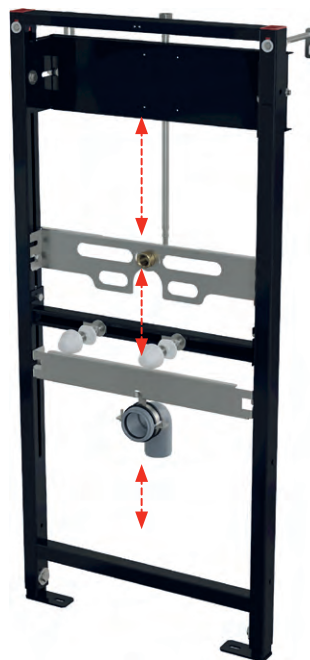
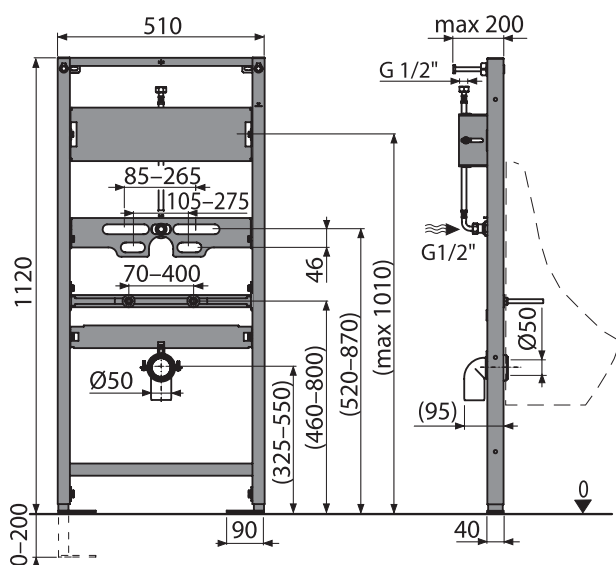
Mounting frame for urinal



Quantity (packing)	1 pc
Dimensions (piece)	1125×515×75 mm
EAN	8595580552725

A107S/1120

Mounting frame for urinal and sensor



Quantity (packing)	1 pc
Dimensions (piece)	1125×515×75 mm
EAN	8595580578985



alca drain

New ceramic toilet bowl SOLID

The new timeless toilet bowl WC SOLID is made of high-quality white ceramic, which facilitates its maintenance. We supply it including a duroplast WC seat in Slim design. The toilet seat has metal hinges, the CLICK system for easy removal of the seat during cleaning and the Softclose safety deceleration system.

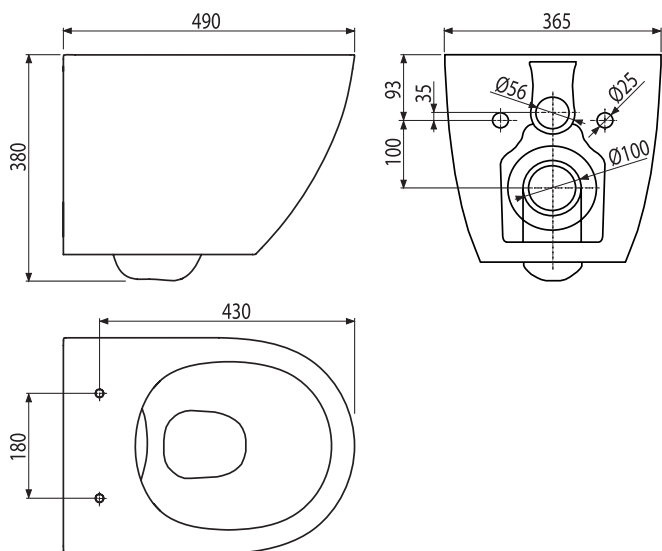
- Toilet bowl with hidden water connection
- Rimless
- Deep flushing
- Flushing volume of 3/6 l





WC SOLID

Wall-hung toilet + WC seat SLIM SOFTCLOSE,
Duroplast



Quantity (packing)	1 pc
Dimensions (piece)	490×365×380 mm
EAN	8595580580933



Outdoor drainage with a new plastic grid

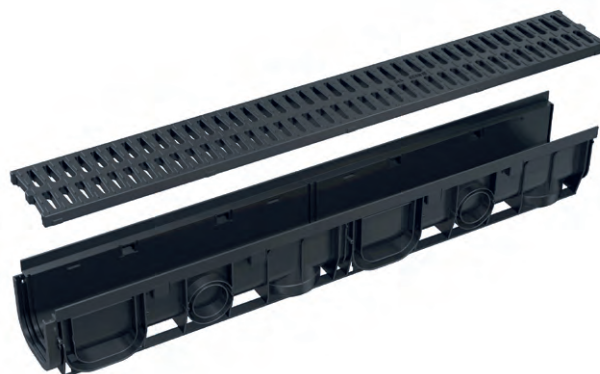
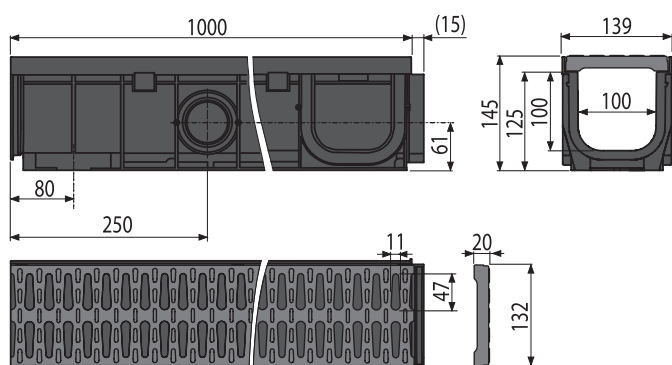
Outdoor drainage is an important element that helps to keep the surroundings of buildings dry and safe. Our new combination with a plastic grid ensures a lower price without losing quality. The grid is made of polypropylene filled with talc, which is resistant to mechanical, chemical and thermal damage. A solid locking mechanism ensures easy connection of individual drain bodies.



- Width of the inlet slot 11 mm
- Straight outlet waste connection DN110 mm
- Easy cleaning
- Grid locking without the use of screws

AVZ102-R501

Outdoor drain 100 mm with plastic frame and plastic grid A15



Quantity (packing)	1 pc
Dimensions (piece)	139×1015×145 mm
EAN	8595580580407



new

alca drain

Complete overview of professional outdoor drainage - load class A15

AVZ102-R102

Outdoor drain channel 100 mm with plastic frame and galvanized "C" profile grid A15



A15

Quantity (packing)	1 pc
Dimensions (piece)	139×1015×145 mm
EAN	8595580511418

AVZ102R-R102S

Outdoor drain box for AVZ102 with plastic frame and galvanized "C" profile grid A15



A15

Quantity (packing)	1 pc
Dimensions (piece)	532×186×425 mm
EAN	8595580547783

AVZ104-R401

Outdoor drain 100 mm with plastic frame and plastic grid A15



A15

Quantity (packing)	1 pc
Dimensions (piece)	150×1015×145 mm
EAN	8595580547745

AVZ104R-R401

Outdoor drain box for AVZ104 with plastic frame and plastic grid A15

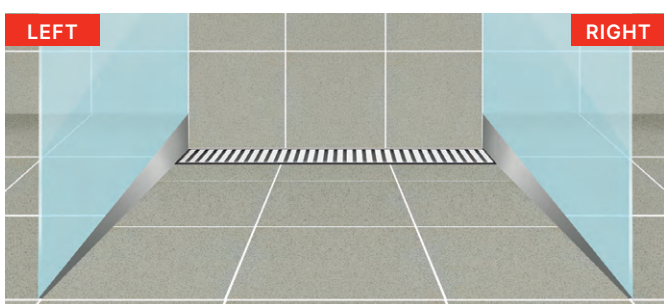


A15

Quantity (packing)	1 pc
Dimensions (piece)	532×185×444 mm
EAN	8595580547790



Stainless steel strip for a sloped floor in a new length of 1600 mm



The sloping strip helps cover the transition area generated during the construction of the sloped shower and non-sloped part of the floor.

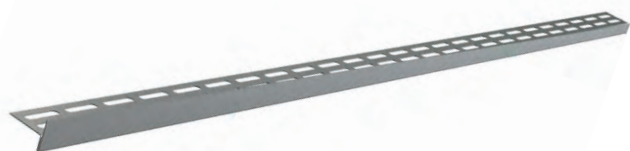
Newly, even in a length of 1600 mm, it will fully cover your demands on the dimensions of the shower corner, when you can shorten yourself the stripe to the desired length.





APZ901M/1600

Stainless steel strip for sloping floors



COLLAR HEIGHT 12 mm

Quantity (packing)	1 pc
Dimensions (piece)	1600×36×27,5 mm
EAN	8595580579265

APZ902M/1600

Stainless steel strip for sloping floors

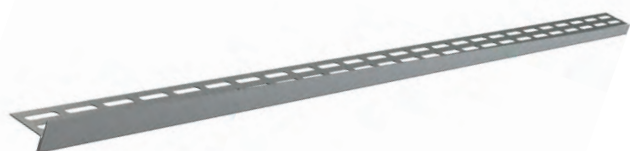


COLLAR HEIGHT 12 mm

Quantity (packing)	1 pc
Dimensions (piece)	1600×36×27,5 mm
EAN	8595580579272

APZ903M/1600

Stainless steel strip for sloping floors



COLLAR HEIGHT 14 mm

Quantity (packing)	1 pc
Dimensions (piece)	1600×36×29,5 mm
EAN	8595580579289

APZ904M/1600

Stainless steel strip for sloping floor, right



COLLAR HEIGHT 14 mm

Quantity (packing)	1 pc
Dimensions (piece)	1600×36×29,5 mm
EAN	8595580579296

Remote flushing

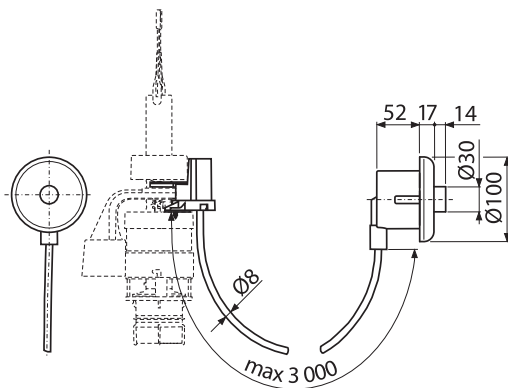
Remote pneumatic flushing is a system that allows users with limited mobility to flush the toilet from anywhere in the room without need to reach for the standard flushing mechanism. It is ideal, for example, for people with disabilities or the elderly.



Newly, the remote pneumatic flushing package also includes a holder for installation in plasterboard.

MPO10

Remote pneumatic flush for hand operation, white,
Installation: into the wall



Quantity (packing)	10 pcs
Dimensions (piece)	315×210×120 mm
EAN	8595580501952



Alca is celebrating!

Many thanks to all our customers and business partners for their support over the past twenty-five years and look forward to further successful cooperation.

Radka Prokopová and František Fabičovic




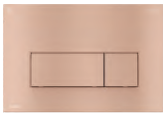


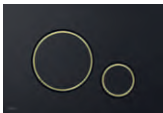







The Alcadrain company, currently the largest Central European producer of sanitary technology, is celebrating 25 years since its establishment. The company was founded by husband and wife Radka Prokopová and František

Fabičovic under the original name Alcaplast in Břeclav. "We have started with four employees to mold the fill and flush valves basically in the garage. We were successful because we manufactured at lower costs and with better quality than the competition. Today, Alca's annual sales reach 130 million EUR and we employ almost thousand people," summarized František Fabičovic, co-owner of Alca Group. The Alca group owned by Alcadrain also includes the producer of piping systems FV Plast and the producer of systems walls Alcafix. Alca products are exported to more than 70 countries around the world.

Alca has been doing business according to the principles of sustainability since the beginning. It strives for clean production, during which only a minimal waste is generated, ideally zero. Products are made of 100% recyclable materials and up to 90% of waste can be reused in the production. The waste that the company is unable to recycle is sorted and left for ecological processing by specialized companies. The group also focus on efficient energy management. Photovoltaic power plants are placed on the roofs of all production halls.

Open Day

Open Day will be held in the premises of Alca factory on May 20 on the occasion of the 25th anniversary celebration where the general public is warmly invited. "Everyone will be able to take a look at the production that takes place here in modern facilities equipped with advanced technologies, including robots," Radka Prokopová introduced the event.

Code	Picture	EAN	Description
M57-G-M		8595580580940	Flush plate for pre-wall installation system, GOLD-matt
M57-RG-M		8595580580957	Flush plate for pre-wall installation systems, RED GOLD-matt
M57-N-M		8595580580964	Flush plate for pre-wall installation systems, NICKEL-matt
M57-GM-M		8595580580971	Flush plate for pre-wall installation systems, GUN METAL-matt
M778-5		8595580578220	Flush plate for pre-wall installation systems, black-matt/gold-polished
AM120/1120		8595580559007	Pre-wall installation system for toilets with bidet function
P192		8595580580377	Connection set for toilet or seat with bidet function
P193		8595580580384	Connection board for toilet or seat with bidet function
AM121/1120		8595580579197	Pre-wall installation system with integrated hygienic pipe flushing function
P195		8595580580551	Remote control for AM121
A107/1120		8595580552725	Mounting frame for urinal
A107S/1120		8595580578985	Mounting frame for urinal and sensor

Code	Picture	EAN	Description
WC SOLID		8595580580933	Wall-hung toilet + WC seat SLIM SOFTCLOSE, Duroplast
AVZ102-R501		8595580580407	Outdoor drain 100 mm with plastic frame and plastic grid A15
AVZ102-R102		8595580511418	Outdoor drain channel 100 mm with plastic frame and galvanized "C" profile grid A15
AVZ102R-R102S		8595580547783	Outdoor drain box for AVZ102 with plastic frame and galvanized "C" profile grid A15
AVZ104-R401		8595580547745	Outdoor drain 100 mm with plastic frame and plastic grid A15
AVZ104R-R401		8595580547790	Outdoor drain box for AVZ104 with plastic frame and plastic grid A15
APZ901M/1600		8595580579265	Stainless steel strip for sloping floors
APZ902M/1600		8595580579272	Stainless steel strip for slopping floor, right
APZ903M/1600		8595580579289	Stainless steel strip for sloping floors
APZ904M/1600		8595580579296	Stainless steel strip for slopping floor, right
MPO10		8595580501952	Remote pneumatic flush for hand operation, white, Installation: into the wall

alca GROUP

alcadrain

Sanitary systems

Czech Republic
Alcadrain s.r.o.
Komunardů 1626/35
170 00 Prague 7 - Holešovice
T: +420 519 821 117 - sale
in the Czech Republic
T: +420 519 821 041 - export
alcadrain@alcadrain.cz
www.alcadrain.com

alcapipe

Piping systems

Czech Republic
FV - Plast, a.s.
Kozovazská 1049/3
Čelákovice
T: +420 326 706 711
fv-plast@fv-plast.cz
www.fvplast.com

alcafix

System walls

Czech Republic
Alcadrain s.r.o.
Komunardů 1626/35
170 00 Praha 7 - Holešovice
alcafix@alcafix.cz
www.alcafix.com

Our team of specialists is always on hand to help with design, installation and quote project prices!

* The warranty covers only the functional technical properties of the product, does not cover wear and tear of the product caused by its normal use or defects caused by non-compliance with the general principles of handling the product or non-compliance with the product instructions. Complete warranty conditions at <https://www.alcadrain.com/en/customer-services/warranty-and-warranty-certificate>



Czech manufacturer, ISO 9001: 2015
Info 2/2023 CZ, © Alcadrain s.r.o.
Changes in dimensions and designs reserved.